

Suttner unloader valve ST-265



The choice of perfection



Solid «splint»:
Professional and robust processing of the pressure-intensive parts.



Specially shaped: Innovative, flattened spring contour.

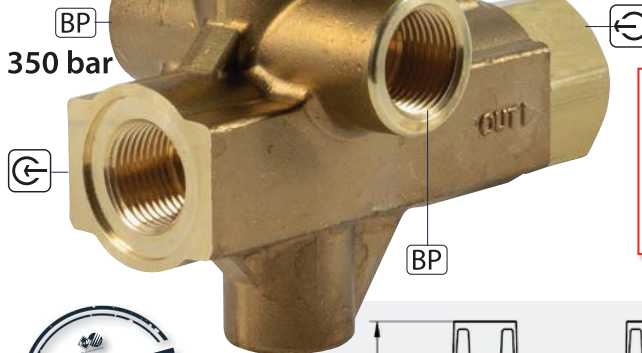


Equipped with ball check valve



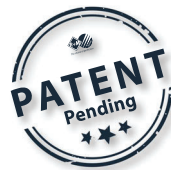
Suttner unloader valve ST-265 with permissible working pressure up to 350 bar

- Soft switching behavior
- Fatigue-free spring
- Particularly easy to maintain
- Low pressure drop
- Valve elements made of high-grade stainless steel and ceramic

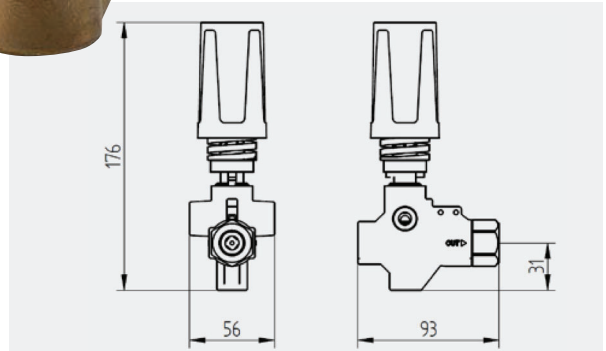


Particularly durable!
High-quality combination of materials

ST-265



Only on request:
Lid with private label.



Technical data

max. pressure	350 bar
max. temperature	80 °C
inlet / outlet	3/8" F / 3/8" F
bypass	3/8" F BP
flow	50 l/min

G = Inlet 3/8" F. **G** = Outlet 3/8" F.
BP = Bypass 3/8" F. Check Valve with ball.
Max. 350 bar / 80 °C

R+M Nr.	
200 265 500	50 l/min