

Gun ST-2320 for the food industry in 2 designs



The choice of perfection

Suitable for use
up to 150 bar
for pumps with 15 MPa



SCAN ME



Made of plastics intended to come into contact with food according to the Directive 1935/2004/EC. Especially suitable for the food industry.



The sturdy low- and medium-pressure gun made of plastics intended to come into contact with food and fitted with a high-quality brass/stainless steel valve

- The rounded design of gun and handle prevent quick soiling and facilitate maintenance.
- The ST-2320 guns can be used everywhere: Industry, automotive, street cleaning, and towns.
- Made of plastics intended to come into contact with food according to the Directive 1935/2004/EC. Especially suitable for the food industry.
- They are handy, ergonomic, and feature a high flow rate.
- Easy and effortless use even in case of all tedious cleaning operations in the food industry.
- Gun inlet: 1/2" F, swivelling, gun outlet: 1/2" F or with the well-proven coupling ST-3100 enabling quick use with various foam nozzles included in our product range.
- High-quality design with EPDM seal and PEEK valve piston.
- Max. 150 bar / 80 l/min. / 150 °C.

Swivelling by 360°



ST-3100 stainless steel coupling

Shatter-proof,
shock-proof,
and sturdy

Swivelling
by 360°

www.rm-suttner.com



ST-2320 with 1/2" female thread: lances or nozzles can be screwed in directly and easily.



ST-2320 with coupling ST-3100: For quick mounting of many different foam nozzles.

Gun ST-2320 for the food industry in 2 designs



The choice of perfection

ST-2320



Professional gun. Application, e.g. in foam and rinsing applications in the food industry. Stainless steel/brass.

Valve piston made of stainless steel. PEEK seat. EPDM seal.

Max. 150 bar / 80 l/min. / 150 °C

R+M Nr.	outlet	inlet
202 320 565	1/2" IG	1/2" F swivel.

ST-2320 with coupling ST-3100



Professional gun with coupling ST-3100. Application, e.g. in foam and rinsing applications in the food industry. Stainless steel/brass.

Valve piston made of stainless steel. PEEK seat. EPDM seal.

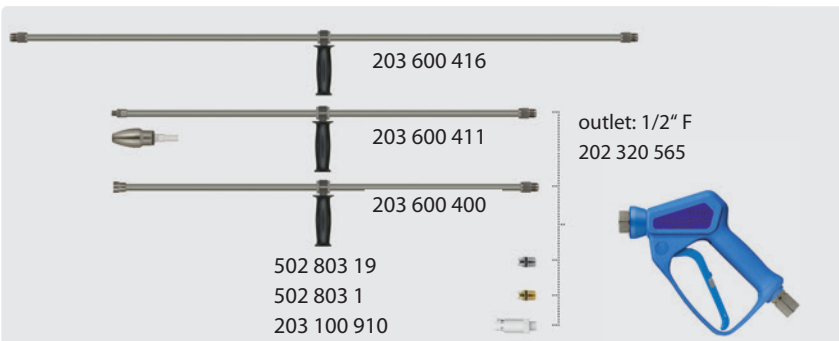
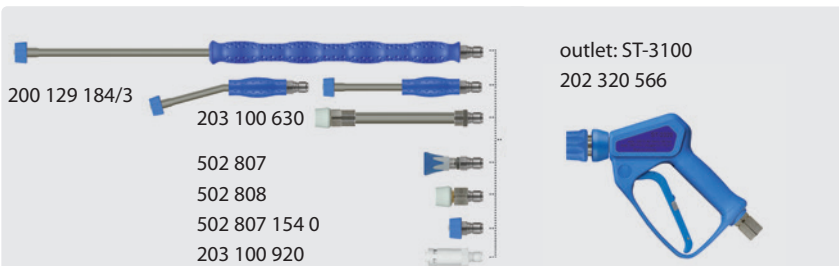
Max. 150 bar / 80 l/min. / 150 °C

R+M Nr.	outlet	inlet
202 320 566	coupling ST-3100	1/2" F swivel

Specifications

Modell:	ST-2320
Max. pressure	150 bar
Max. flow	80 l/min
Max. temperature	150 °C
Inlet	rear
Swivel at inlet	standard
Chemical resistance	-
Freeze stop version	-
Weep version	-
LTF technology	-
Material valve housing	Brass
Material valve	Peek/ stainless steel
Food safe	-
One-piece valve kit	-
Quick coupling outlet	optional
Progressive closing	-
Private label	optional

Accessories



Repair kit ST-2320



R+M Nr.
202 320 495

8 screws: To open the half shells for quick replacement using the repair kit.



Lock: Secured trigger.

inlet swivelling by 360°:
No torsion of hoses.